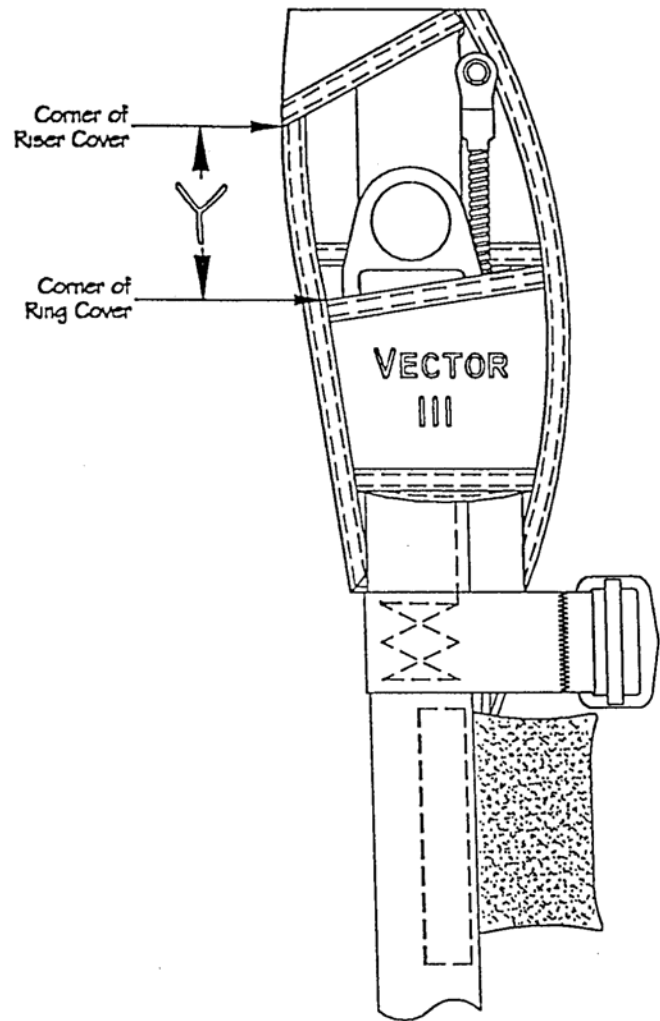
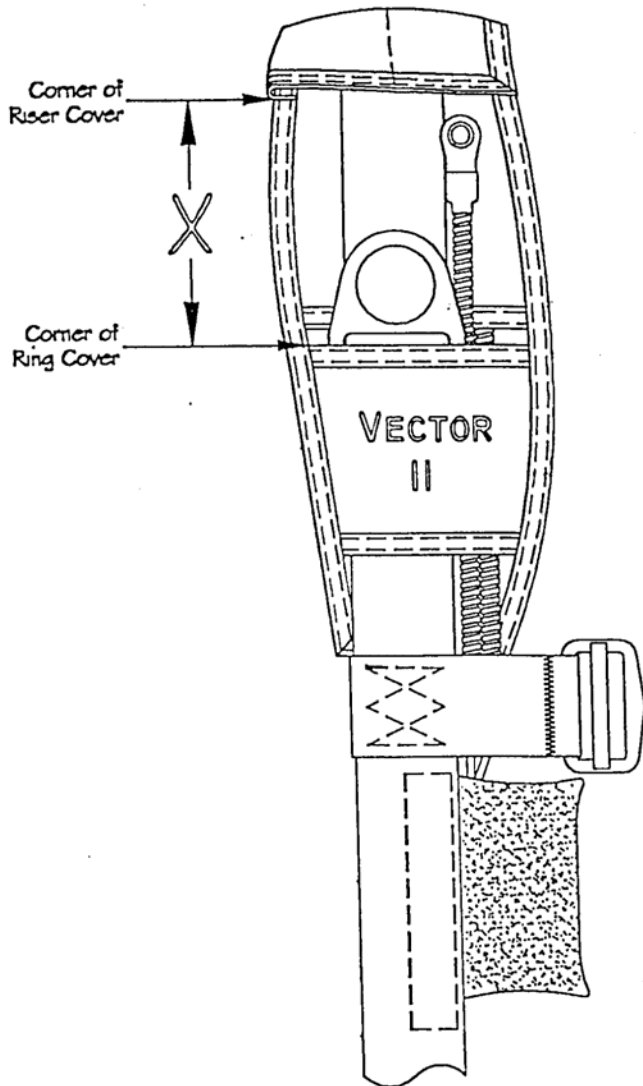


Vector II & III Yoke Extension Measurement



X (to nearest 1/2")	Y (to nearest 1")	Extension Length
4 - 1/2"	3"	0"
6 - 1/2"	5"	2"

October 27, 1997

the uninsured
RELATIVE WORKSHOP inc
 1645 Lexington Avenue • DeLand FL 32724 -2106 USA
 Telephone +1 386 736 7589 • Fax +1 386 734 7537
 www.relativeworkshop.com • rws@relativeworkshop.com