

# Vector II & III Main Lift Web Measurement

For a Standard Harness, measure the Main Lift Web Length as shown in Figure 1. If the Harness has a ring at the Leg Strap Junction (VGH), see Figure 2. All Main Lift Web measurements should be made to the nearest 1/2".

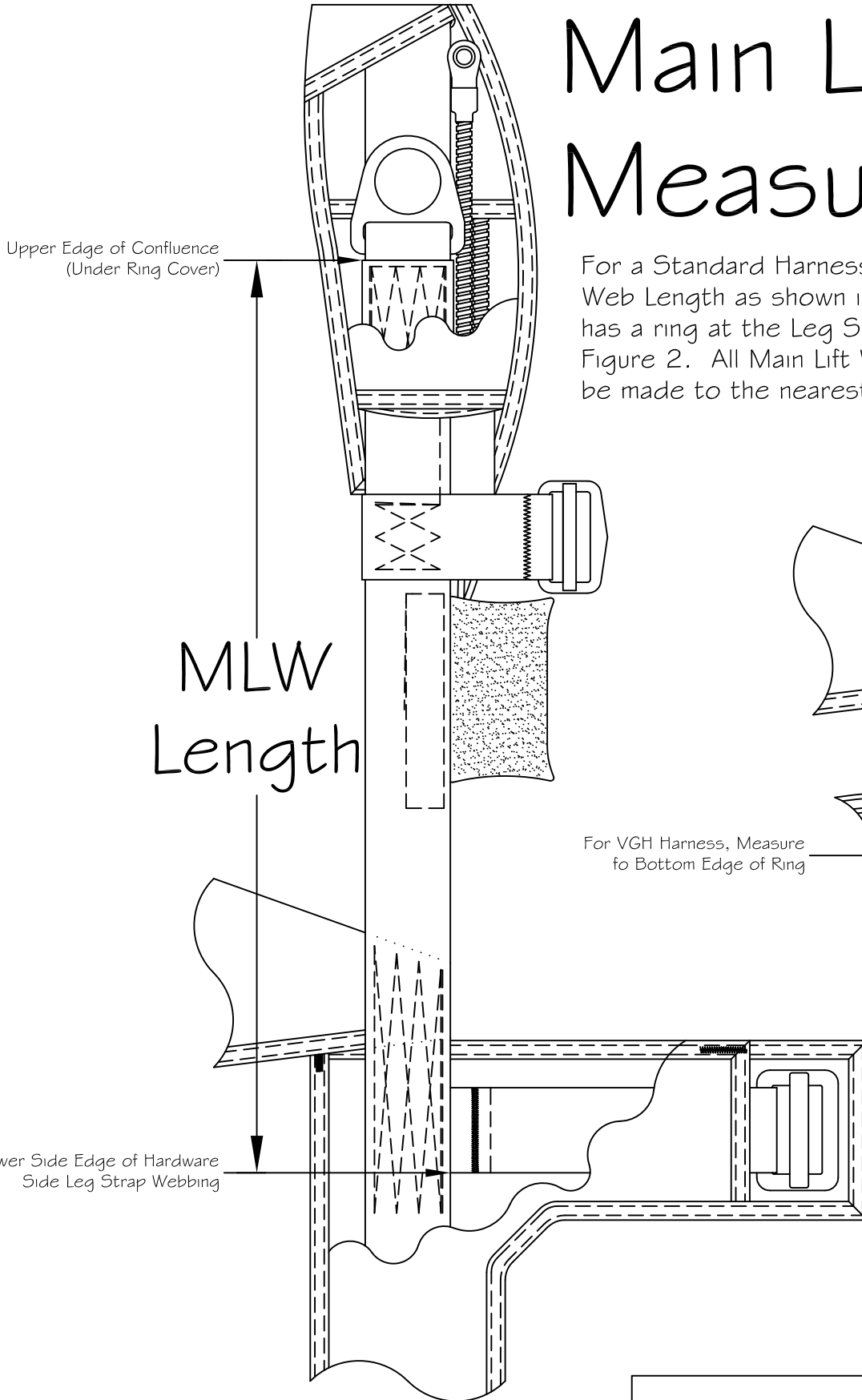


Figure 1

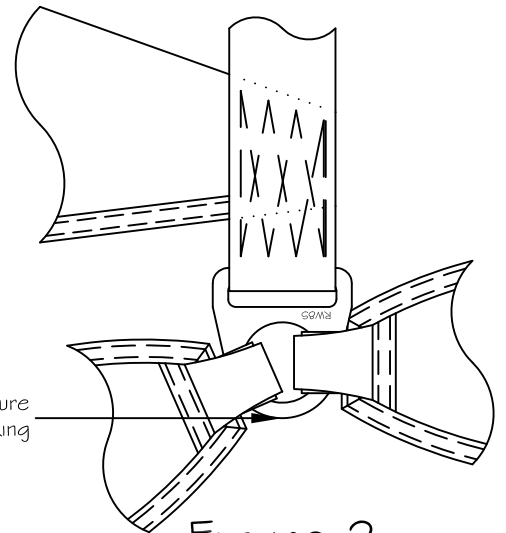


Figure 2

October 27, 1997