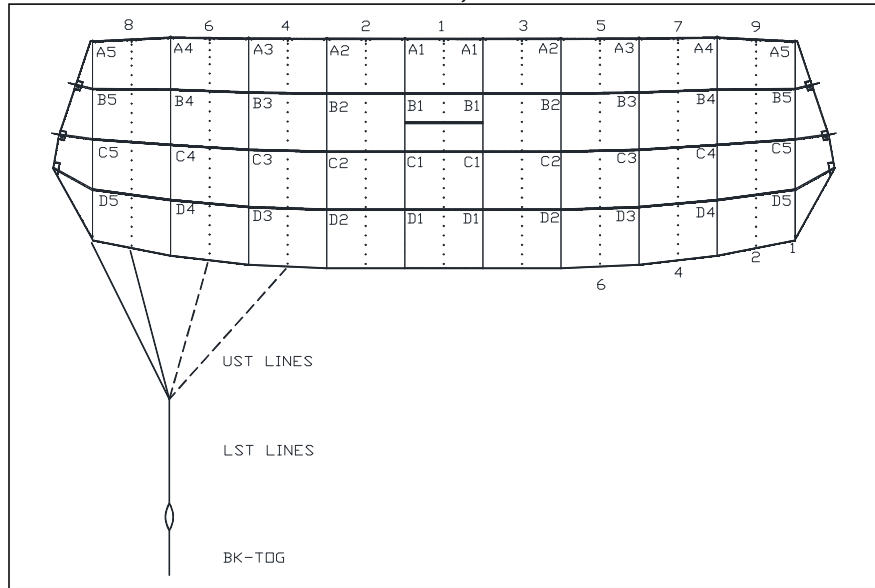




LINE TRIM CHART
FOR
SR-340, 370



	Inches	Inches	Centimeters	Centimeters
	SR-340	SR-370	SR-340	SR-370
A1	184 3/8	192	468.4	487.6
A1-B1	3 1/8	3 1/4	8.0	8.3
A1-C1	11 7/8	12 3/8	30.2	31.5
A1-D1	24 5/8	25 3/4	62.6	65.4
A2	184 1/2	192 1/8	468.7	487.9
A2-B2	3 1/8	3 1/4	8.0	8.3
A2-C2	11 7/8	12 3/8	30.1	31.4
A2-D2	24 5/8	25 3/4	62.5	65.3
A3	184 3/4	192 3/8	469.3	488.6
A3-B3	2 7/8	3	7.3	7.6
A3-C3	11 3/8	11 7/8	28.9	30.2
A3-D3	23 3/4	24 7/8	60.5	63.2
A4	185	192 3/4	470.0	489.4
A4-B4	2 1/2	2 1/2	6.2	6.5
A4-C4	10 3/8	10 3/4	26.2	27.4
A4-D4	21 7/8	22 7/8	55.5	58.0
A5	185 3/8	193	470.7	490.3
A5-B5	2 1/4	2 3/8	5.7	6.0
A5-C5	9 1/8	9 1/2	23.2	24.2
A5-D5	19 1/8	20	48.6	50.8
LST	125 1/2	130 3/8	318.6	331.0
A5-UST1	9 3/4	10	24.7	25.6
A5-UST2	5 7/8	6	14.8	15.2
A5-UST4	6 3/8	6 5/8	16.3	16.8
A5-UST6	15 1/8	15 5/8	38.5	39.8
B STAB SLK	1	1	2.5	2.5
C STAB SLK	1 1/2	1 1/2	3.8	3.8
D STAB SLK	2	2	5.1	5.1
BK-TOG	27 1/4	28 3/8	69.1	72.1
Flat Slider (Hole in Center)	32	33	76.2 Chord	76.2 Chord
	39	40	91.44 Span	91.44 Span

*Due to development methodology, the finished BK-TOG dimensions may not scale

*Refer to Document MAN-0001 for measuring lines

*Refer to Document MAN-0018 or MAN-0019 for measuring sliders