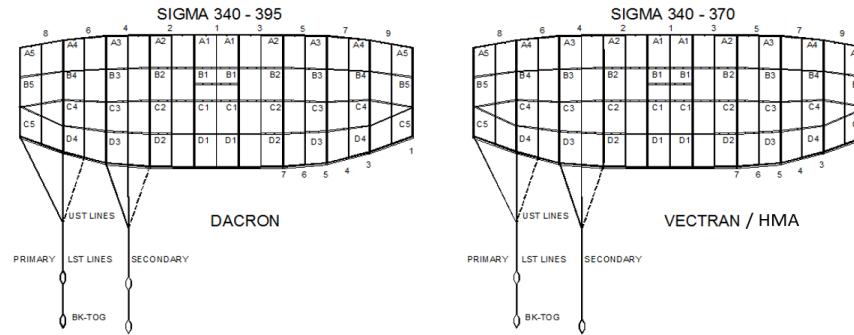


LINE TRIM CHART
FOR



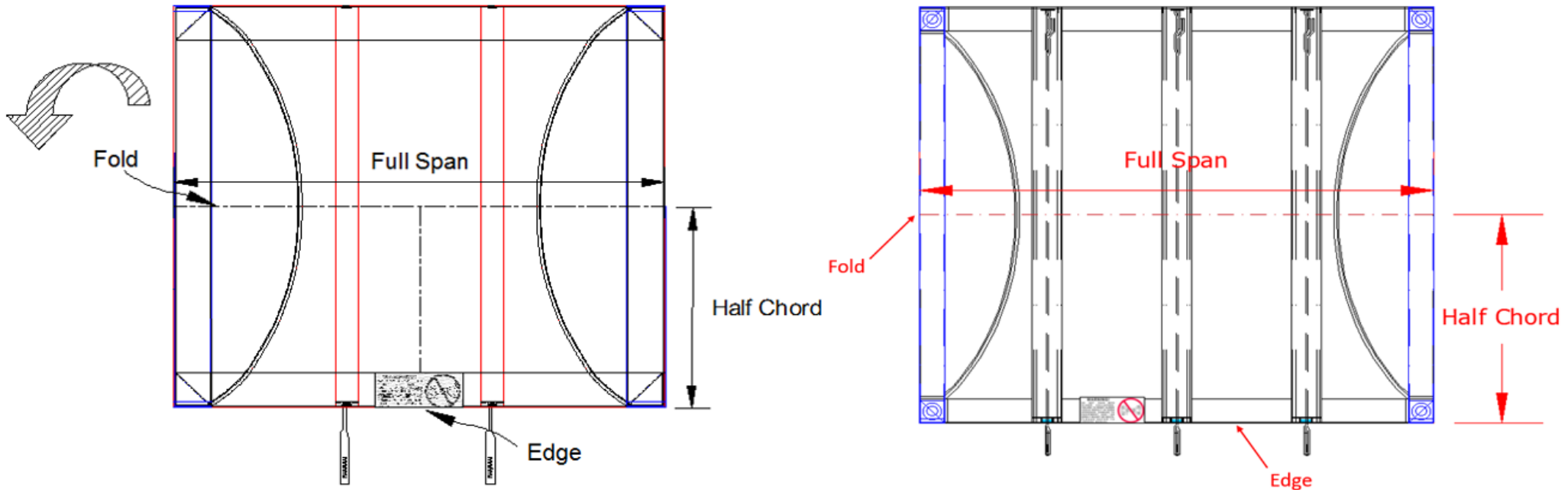
	Measurement in Inches								Measurement in Centimeters							
	SG - 340		SG-340	SG - 370		SG-370		SG-395	SG - 340		SG-340	SG - 370		SG-370		SG-395
	Vectran	HMA	Dacron	Vectran	HMA	Dacron	Dacron	Vectran	HMA	Dacron	Vectran	HMA	Dacron	Dacron		
A1	193 7/8	193 7/8	193 7/8	202 1/4	202 1/4	202 1/4	209	492.5	492.5	492.4	513.7	513.7	513.7	530.8		
A1-B1	3 5/8	3 5/8	3 5/8	3 7/8	3 7/8	3 7/8	4	9.3	9.3	9.2	9.7	9.7	9.7	10.0		
A1-C1	13 1/8	13 1/8	13 1/8	13 3/4	13 3/4	13 3/4	14 1/4	33.4	33.4	33.3	34.9	34.9	34.9	36.1		
A1-D1	24 3/4	24 3/4	24 3/4	25 7/8	25 7/8	25 7/8	26 3/4	62.8	62.8	62.9	65.7	65.7	65.7	67.9		
A2	193 7/8	193 7/8	193 7/8	202 1/4	202 1/4	202 1/4	209	492.4	492.4	492.4	513.7	513.7	513.7	530.7		
A2-B2	3 5/8	3 5/8	3 5/8	3 7/8	3 7/8	3 7/8	4	9.3	9.3	9.2	9.8	9.8	9.8	10.1		
A2-C2	13 1/8	13 1/8	13 1/8	13 3/4	13 3/4	13 3/4	14 1/8	33.2	33.2	33.3	34.8	34.8	34.8	35.9		
A2-D2	24 5/8	24 5/8	24 5/8	25 3/4	25 3/4	25 3/4	26 5/8	62.5	62.5	62.5	65.4	65.4	65.4	67.6		
A3	194	194	194	202 3/8	202 3/8	202 3/8	209 1/8	492.8	492.8	492.8	514.0	514.0	514.0	531.1		
A3-B3	3 5/8	3 5/8	3 5/8	3 3/4	3 3/4	3 3/4	4	9.2	9.2	9.2	9.7	9.7	9.7	10.0		
A3-C3	12 7/8	12 7/8	12 7/8	13 1/2	13 1/2	13 1/2	13 7/8	32.6	32.6	32.7	34.2	34.2	34.2	35.3		
A3-D3	23 1/8	23 1/8	23 1/8	24 1/8	24 1/8	24 1/8	25	58.6	58.6	58.6	61.3	61.3	61.3	63.4		
A4	194	194	194	202 3/8	202 3/8	202 3/8	209 1/8	492.8	492.8	492.8	514.0	514.0	514.0	531.1		
A4-B4	3 7/8	3 7/8	3 7/8	4	4	4	4 1/8	9.8	9.8	9.8	10.2	10.2	10.2	10.5		
A4-C4	11 5/8	11 5/8	11 5/8	12 1/8	12 1/8	12 1/8	12 1/2	29.5	29.5	29.5	30.9	30.9	30.9	31.9		
A4-D4	20 1/8	20 1/8	20 1/8	21 1/8	21 1/8	21 1/8	21 7/8	51.2	51.2	51.1	53.6	53.6	53.6	55.4		
A5	194 1/4	194 1/4	194 1/4	202 5/8	202 5/8	202 5/8	209 3/8	493.5	493.5	493.4	514.8	514.8	514.8	531.9		
A5-B5	4 3/8	4 3/8	4 3/8	4 5/8	4 5/8	4 5/8	4 3/4	11.2	11.2	11.1	11.7	11.7	11.7	12.1		
A5-C5	12 1/8	12 1/8	12 1/8	12 3/4	12 3/4	12 3/4	13 1/8	30.8	30.8	30.8	32.2	32.2	32.2	33.3		
LST-P	131 1/2	131 1/2	131 1/2	137	137	137	141 1/2	334.0	334.0	334.0	348.0	348.0	348.0	359.5		
A5-UST1	8 5/8	8 1/2	8 3/8	8 7/8	8 3/4	8 5/8	8 7/8	22.0	21.7	21.4	22.4	22.2	21.9	22.6		
A5-UST3	9 1/8	9	8 7/8	9 3/8	9 1/4	9 1/8	9 3/8	23.2	23.0	22.7	23.7	23.5	23.1	23.9		
A5-UST4	14	13 7/8	13 3/4	14 3/8	14 3/8	14 1/4	14 5/8	35.6	35.4	35.1	36.6	36.4	36.1	37.3		
LST-S	157 1/8	157 1/8	136 3/4	163 1/2	163 1/2	142 1/2	147 1/4	399.0	399.0	347.3	415.2	415.2	361.8	373.9		
A5-UST5	33 1/4	33 1/4	13 1/4	34 1/4	34 1/4	13 3/4	14 1/8	84.4	84.4	33.8	87.0	87.0	34.8	35.9		
A5-UST6	34 5/8	34 5/8	14 5/8	35 5/8	35 5/8	15 1/8	15 5/8	87.9	87.9	37.2	90.6	90.6	38.3	39.6		
A5-UST7	39 1/2	39 1/2	19 5/8	40 3/4	40 3/4	20 1/4	20 7/8	100.4	100.4	49.7	103.6	103.6	51.4	53.1		
B STAB SLK	1	1	1	1	1	1	1	2.5	2.5	2.5	2.5	2.5	2.5	2.5		
C STAB SLK	1 1/2	1 1/2	1 1/2	1 1/2	1 1/2	1 1/2	1 1/2	3.8	3.8	3.8	3.8	3.8	3.8	3.8		
BK-TOG-P*	22 5/8	22 1/2	22 3/4	23 3/8	23	23 3/8	24 1/8	57.4	57.2	57.7	59.4	58.6	59.4	61.4		
BK-TOG-S*	N/A	N/A	18 5/8	N/A	N/A	19 1/4	19 7/8	N/A	N/A	47.4	N/A	N/A	48.8	50.4		
Current Dome Slider w/ 4 Grommets	18 3/8" Chord	18 3/8" Chord	18 3/8" Chord	18 3/8" Chord	18 3/8" Chord	18 3/8" Chord	19 1/2" Chord	46.7 Chord	46.7 Chord	46.7 Chord	46.7 Chord	46.7 Chord	46.7 Chord	49.5 Chord		
	44 3/8" Span	44 3/8" Span	44 3/8" Span	44 3/8" Span	44 3/8" Span	44 3/8" Span	54" Span	112.7 Span	112.7 Span	112.7 Span	112.7 Span	112.7 Span	112.7 Span	137.2 Span		
	3 channels	3 channels	3 channels	3 channels	3 channels	3 channels		3 channels	3 channels	3 channels	3 channels	3 channels	3 channels			
Original Dome Slider w/ 4 Grommets	16 1/2" Chord	16 1/2" Chord	16 1/2" Chord	16 1/2" Chord	16 1/2" Chord	16 1/2" Chord	19 1/2" Chord	41.9 Chord	41.9 Chord	41.9 Chord	41.9 Chord	41.9 Chord	41.9 Chord	49.5 Chord		
	40 3/8" Span	40 3/8" Span	40 3/8" Span	40 3/8" Span	40 3/8" Span	40 3/8" Span	54" Span	102.6 Span	102.6 Span	102.6 Span	102.6 Span	102.6 Span	102.6 Span	137.2 Span		
	2 channels	2 channels	2 channels	2 channels	2 channels	2 channels		2 Channels	2 channels	2 channels	2 channels	2 Channels	2 channels			

*Due to development methodology, the finished BK-TOG dimensions may not scale

• Refer to Document MAN-0001 for measuring lines

MEASURING THE SIGMA DOME SLIDER (340 & 370)

Fold the slider in half front to rear forming a fold from side to side.
For the spanwise dimension: Pull taut from side to side and measure the slider from one side to the other side across the fold.
For the 1/2 Chordwise dimension: Pull taut from the fold to the edge across the center and measure the slider from the fold to the edge.



Bottom Folded View